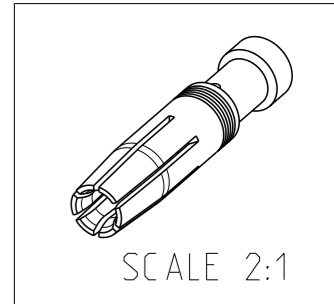
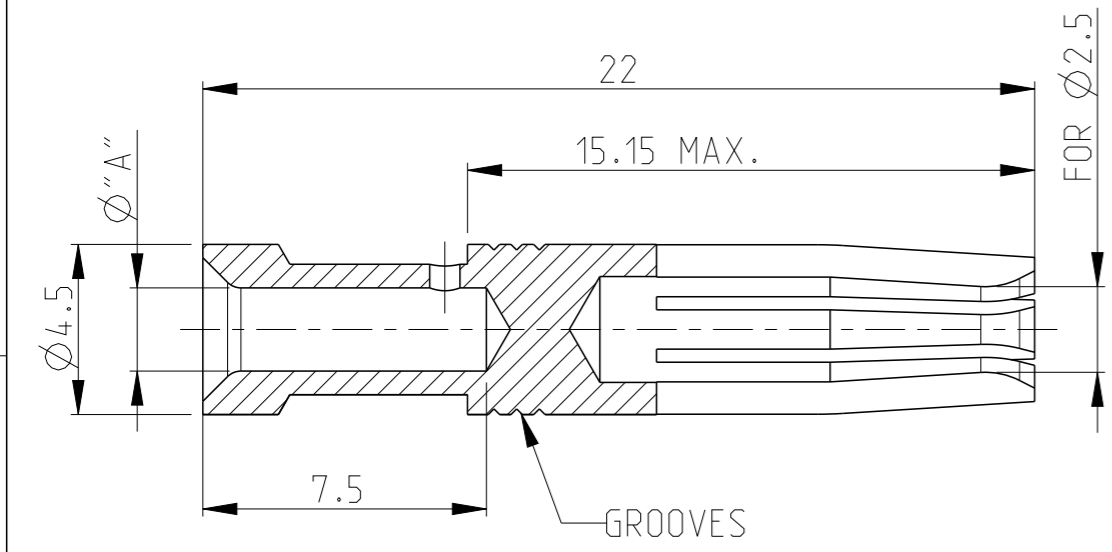


THIS DRAWING IS UNPUBLISHED. RELEASED FOR PUBLICATION 2006  
 © COPYRIGHT 2006 BY - ALL RIGHTS RESERVED.

LOC	DIST	REVISIONS			
P	LTR	DESCRIPTION	DATE	DWN	APVD
	J4	REVISED PER ECO-11-005030	24MAR2011	RK	HMR
	J5	ECR-15-003938	26MAR2015	RK	MKO



- Notes
- 1 MATERIAL: BRASS
  - 2 FINISH SILVER PLATING: 2 µm Ag MIN. OVER Cu
  - 3 FINISH GOLD PLATING: 0.75 µm Au MIN. OVER Ni
  - 4 FINISH TIN PLATING: 0.6 µm Sn. MIN. OVER Cu
  - 5 VENTILATION HOLE PRESENT ON ALL PARTS
  - 6 WEIGHT: 0.00160 kg, PER PIECE (APPROX.)
  - 7 PACKAGING: 50 PIECES IN POLYBAG
  - 8 PACKAGING: 500 PIECES IN POLYBAG & CARTON
  - 9 PACKAGING: 20000 PIECES IN POLYBAGS & CARTONS
  - 10 SUITABLE PIN CONTACT: PN 1105100
  - 11 SUITABLE INSERTS: SERIES HA, HE, HVE, HVS
  - 12 SUITABLE CRIMP TOOL: PN 1-1105851-8
  - 13 SUITABLE INSERTION TOOL: PN 0-1102855-6
  - 14 SUITABLE EXTRACTION TOOL: PN 0-1102855-7
  - 15 STANDARDS: DIN EN 61984, DIN EN 60664-1

		7	8	9			
HE/HA-C-Bu.Sn 4,0mm <sup>2</sup>	TIN 4	4.0	2.8	-	-	5-0	5-3
HE/HA-C-Bu.Sn 2,5mm <sup>2</sup>		2.5	2.2	3	-	4-0	4-3
HE/HA-C-Bu.Sn 1,5mm <sup>2</sup>		1.5	1.7	2	-	3-0	3-3
HE/HA-C-Bu.Au 4,0mm <sup>2</sup>	GOLD 3	4.0	2.8	-	5-2	5-9	-
HE/HA-C-Bu.Au 2,5mm <sup>2</sup>		2.5	2.2	3	4-2	4-9	-
HE/HA-C-Bu.Au 1,5mm <sup>2</sup>		1.5	1.7	2	3-2	3-9	-
HE/HA-C-Bu.Au 0,75-1,0mm <sup>2</sup>	SILVER 2	0.75-1.0	1.4	1	2-2	2-9	-
HE/HA-C-Bu.Au 0,5mm <sup>2</sup>		0.5	1.1	-	1-2	1-9	-
HE/HA-C-Bu.Au 0,14-0,37mm <sup>2</sup>		0.14-0.37	0.9	3	6-2	6-9	-
HE/HA-C-Bu.Ag 4,0mm <sup>2</sup>	SILVER 2	4.0	2.8	-	5-1	5-8	-
HE/HA-C-Bu.Ag 2,5mm <sup>2</sup>		2.5	2.2	3	4-1	4-8	-
HE/HA-C-Bu.Ag 1,5mm <sup>2</sup>		1.5	1.7	2	3-1	3-8	-
HE/HA-C-Bu.Ag 0,75-1,0mm <sup>2</sup>	SILVER 2	0.75-1.0	1.4	1	2-1	2-8	-
HE/HA-C-Bu.Ag 0,5mm <sup>2</sup>		0.5	1.1	-	1-1	1-8	-
HE/HA-C-Bu.Ag 0,14-0,37mm <sup>2</sup>		0.14-0.37	0.9	3	6-1	6-8	-
		[MM <sup>2</sup> ]	"A"	NO.OF GROOVES	P.U.=50	P.U.=500	P.U.=20000
ORDERING TEXT	PLATING	CROSS SECTION	DIMS	MARKINGS	BAG	BOX	BOX

THIS DRAWING IS A CONTROLLED DOCUMENT.

DWN G.WROBLEWSKI 20SEP2007  
 CHK H.BRAUN 20SEP2007  
 APVD T.SCHNURPFIL 20SEP2007

TE Connectivity

SOCKET CONTACT SERIES HA, HE, HVE

PRODUCT SPEC 108-74004  
 APPLICATION SPEC 114-74003

SIZE A3 CAGE CODE 00779 DRAWING NO C=1105101 RESTRICTED TO -

Customer Drawing SCALE 5:1 SHEET 1 OF 1 REV J5